

Media Distribution Phone and Expansion Hubs

specifications

Phone distribution hubs shall manage four incoming phone lines and distribute service to eight outlets (per line). Phone expansion hubs shall extend available service to an additional eight phone connections per line. Phone distribution hubs shall contain ports capable of testing both incoming and outgoing connections to ensure proper performance of phone system. Phone distribution hubs shall also contain a built-in security system interface capable of overriding phone service to transmit safety alarms in the event of an emergency. Phone distribution and expansion hubs shall offer stackability for the purpose of service expansion and future growth within the enclosure.



technical information

Mounting:	Snaps into custom 1 inch grid pattern of the enclosure and allows stackability for greater expansion density
Compliance:	RoHS, TIA/EIA 570-C Residential Wiring Standard, cULus, and UL

key features and benefits

Security interface (Phone distribution hub)	Includes a built-in switch that overrides the phone service for emergency notifications, ensuring safety and security of unit or residence when needed
Stackability (Phone distribution/Expansion hub)	Mounts on top of one another to maximize enclosure space and offer easy expansion for additional drops
Snap-in installation	Snaps directly onto custom 1 inch grid pattern within enclosure to simplify installations and allow easy moves, adds, and changes
Multiple room distribution (Phone distribution hub)	Manages four incoming phone lines and distributes service to up to eight outlets per line in the unit/home to provide system flexibility and convenience
Service expansion (Phone expansion hub)	Mounts on top of the phone distribution hub to cost-effectively add up to eight additional phone connections per line
Test ports (Phone distribution hub)	Enables testing of the incoming phone lines from the building demarcation point and connections from the enclosure to the residence to ensure performance

applications

The Panduit media distribution system is a complete structured cabling solution for residential and commercial deployments that cost-effectively delivers emerging communication and video entertainment connectivity into individual location enclosures. Using customizable and stackable hubs installed within the enclosure, the media distribution system provides voice, video, and data applications (commonly referred to as triple-play services) throughout a home or office.

Modularity with Panduit products allows the media distribution system to service an entire network infrastructure from the building demarcation point to the end user's network outlet.

Media distribution phone hubs service up to eight locations with phone service that includes test ports to ensure performance and a security system interface to assist with emergency situations within residential and commercial units. Expansion hubs cost-effectively extend service to additional locations.

Voice (Phone) Hubs

Distribution hub:	MS8PD
Expansion hub:	MS8PE

Advanced System Enclosures

(Base and hinged door sold separately.)

14" base:	MS14B
24" base:	MS24B
14" hinged door with frame:	MS14HD
24" hinged door with frame:	MS24HD
14" frameless hinged door:	MS14BHD
24" frameless hinged door:	MS24BHD

Basic System Enclosures

(Includes base and screw down door.)

14":	MSB14E
24":	MSB24E

Video Splitters

1 x 8 passive 1GHz:	MS8S1G
1 x 4 passive 1GHz:	MS4S1G
1 x 8 passive 2GHz:	MS8S2G
1 x 4 passive 2GHz:	MS4S2G

Data Hubs

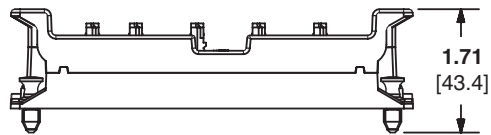
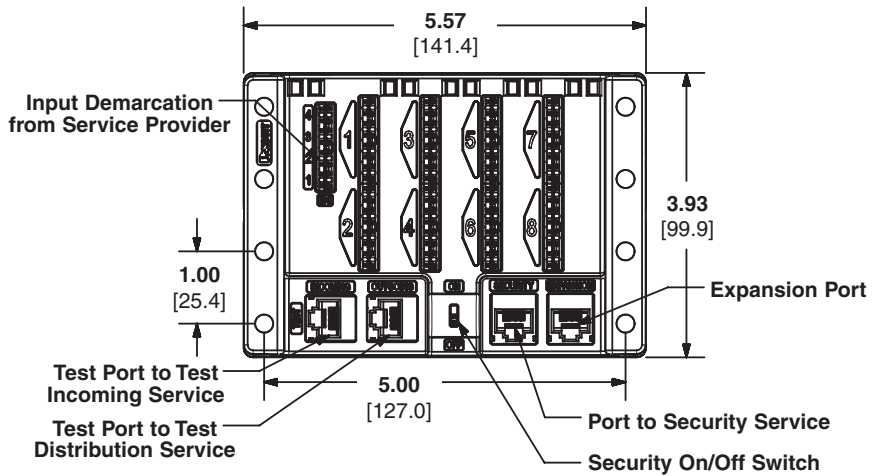
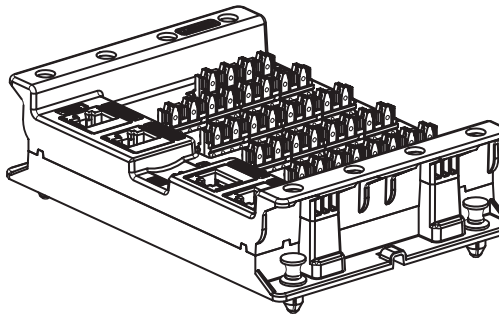
Category 5e data hub:	MS5E6PP
Category 6 data hub:	MS66PP

Accessories

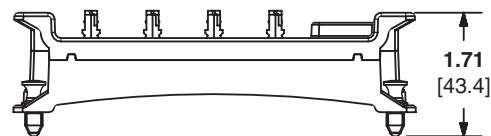
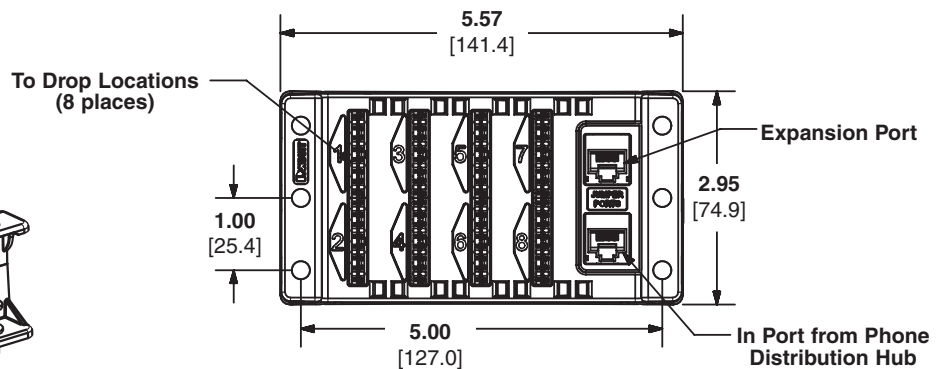
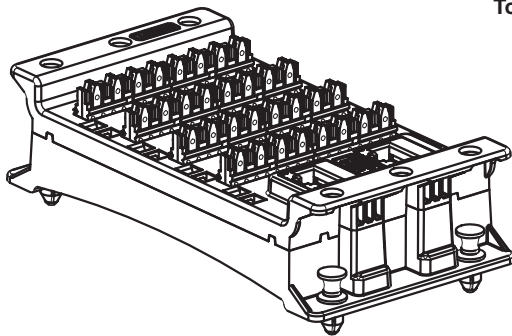
Equipment bracket:	MSEBRKT
Modular patch panel:	MS8PP
Cable management ring:	MSCMR
Cable management kit:	MSCM-KIT
Grounding kit:	MSGRD-KIT
Lock for frameless hinged door:	MSCLK

Media Distribution Phone and Expansion Hubs

phone distribution hub



phone expansion hub



Dimensions are in inches. [Dimensions in brackets are metric.]

WORLDWIDE SUBSIDIARIES AND SALES OFFICES

PANDUIT CANADA
Markham, Ontario
cs-cdn@panduit.com
Phone: 800.777.3300

PANDUIT EUROPE LTD.
London, UK
cs-emea@panduit.com
Phone: 44.20.8601.7200

PANDUIT SINGAPORE PTE. LTD.
Republic of Singapore
cs-ap@panduit.com
Phone: 65.6305.7575

PANDUIT JAPAN
Tokyo, Japan
cs-japan@panduit.com
Phone: 81.3.6863.6000

PANDUIT LATIN AMERICA
Guadalajara, Mexico
cs-la@panduit.com
Phone: 52.33.3777.6000

PANDUIT AUSTRALIA PTY. LTD.
Victoria, Australia
cs-aus@panduit.com
Phone: 61.3.9794.9020

For a copy of Panduit product warranties, log on to www.panduit.com/warranty

For more information

Visit us at www.panduit.com

Contact Customer Service by email: cs@panduit.com
or by phone: 800.777.3300

PANDUIT[®]

©2014 Panduit Corp.
ALL RIGHTS RESERVED.
OTSP42--WW-ENG
Replaces WW-OTSP12
9/2014