

**NOTES, UNLESS OTHERWISE SPECIFIED:**

**The Panduit PBDCT Bench-Mount Duct Cutting Tool features:**

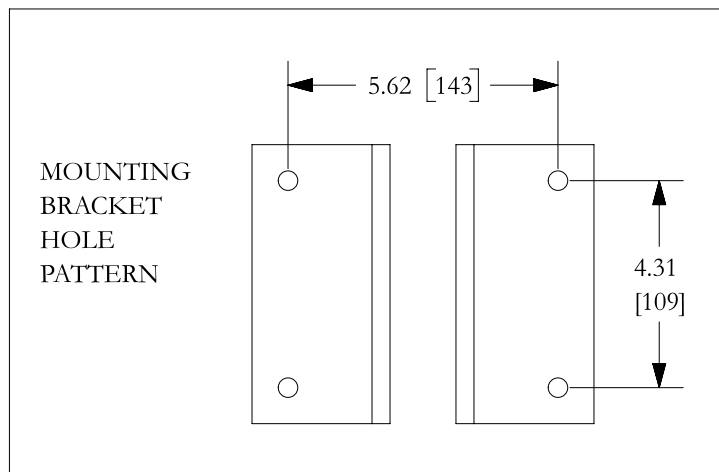
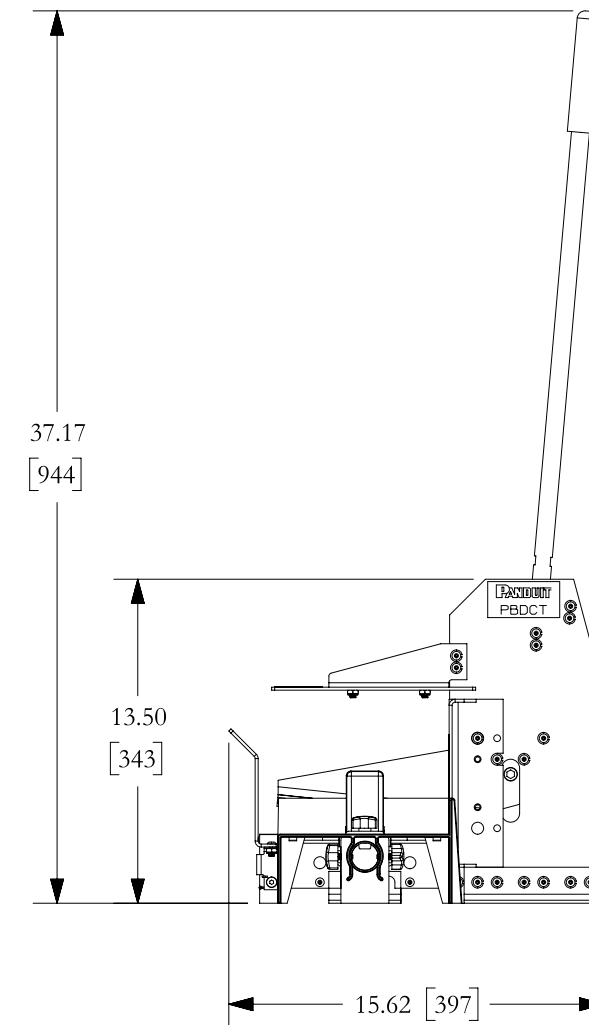
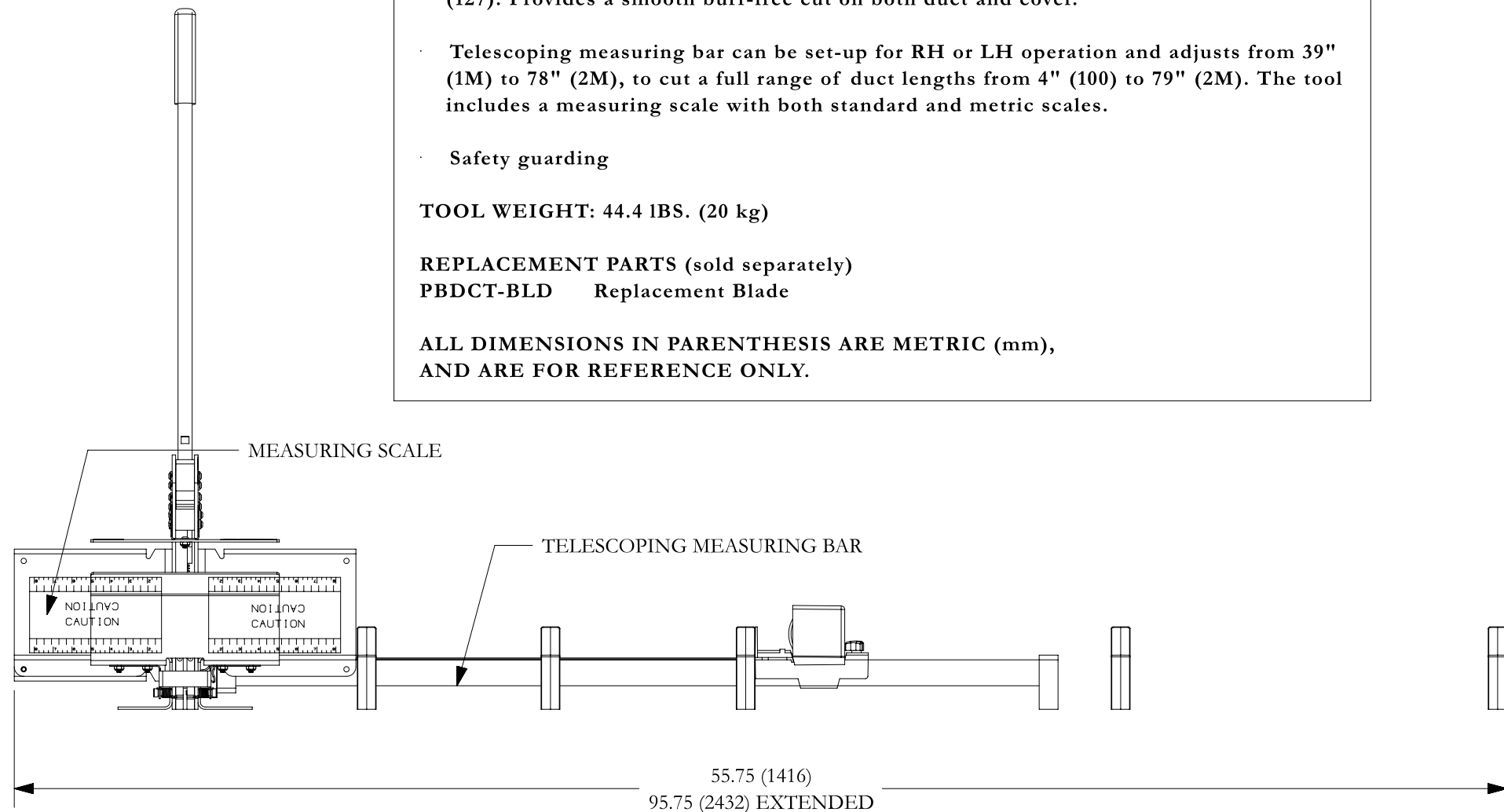
- Easily cuts any Panduct® slotted wiring duct & cover up to 6" wide (152), and 5" high (127). Provides a smooth burr-free cut on both duct and cover.
- Telescoping measuring bar can be set-up for RH or LH operation and adjusts from 39" (1M) to 78" (2M), to cut a full range of duct lengths from 4" (100) to 79" (2M). The tool includes a measuring scale with both standard and metric scales.
- Safety guarding

**TOOL WEIGHT: 44.4 IBS. (20 kg)**

**REPLACEMENT PARTS (sold separately)**

**PBDCT-BLD Replacement Blade**

**ALL DIMENSIONS IN PARENTHESIS ARE METRIC (mm), AND ARE FOR REFERENCE ONLY.**



REV	DATE	BY	CHK	APR	DESCRIPTION	ECN
02	07.11.16	BDK	MRJS	RGRO	B. FOR PREVIOUS REV REF: F:\wrkgrp\ENGR DOCS\CUSTOMER DRAWINGS\WD25752C01.01.doc A. DRAWING TRANSFERED TO CAD / TEAMCENTER	WD25752C01

TITLE		BENCH TOP DUCT CUTTING TOOL PBDCT	
ITEM REVISION NAME		CUSTOMER DRAWING	
DATASET FILE NAME		00216NKF/00	
00216NKF-DC/02 PBDCT DUCT COVER			
UNLESS OTHERWISE SPECIFIED, DIMENSIONAL TOLERANCES ARE: IN [ mm ]			
.X ± .XXX ±		MATERIAL:	
.XX ± ANGLES ±		NONE	
THIRD ANGLE PROJECTION		DRAWING NUMBER:	
WD25752C01		WD25752C01	
DRAWN BY	DATE	CHK	SCALE
BDK	07.11.16	RGRO	NONE
SHT 1 OF 1			SIZE
			B