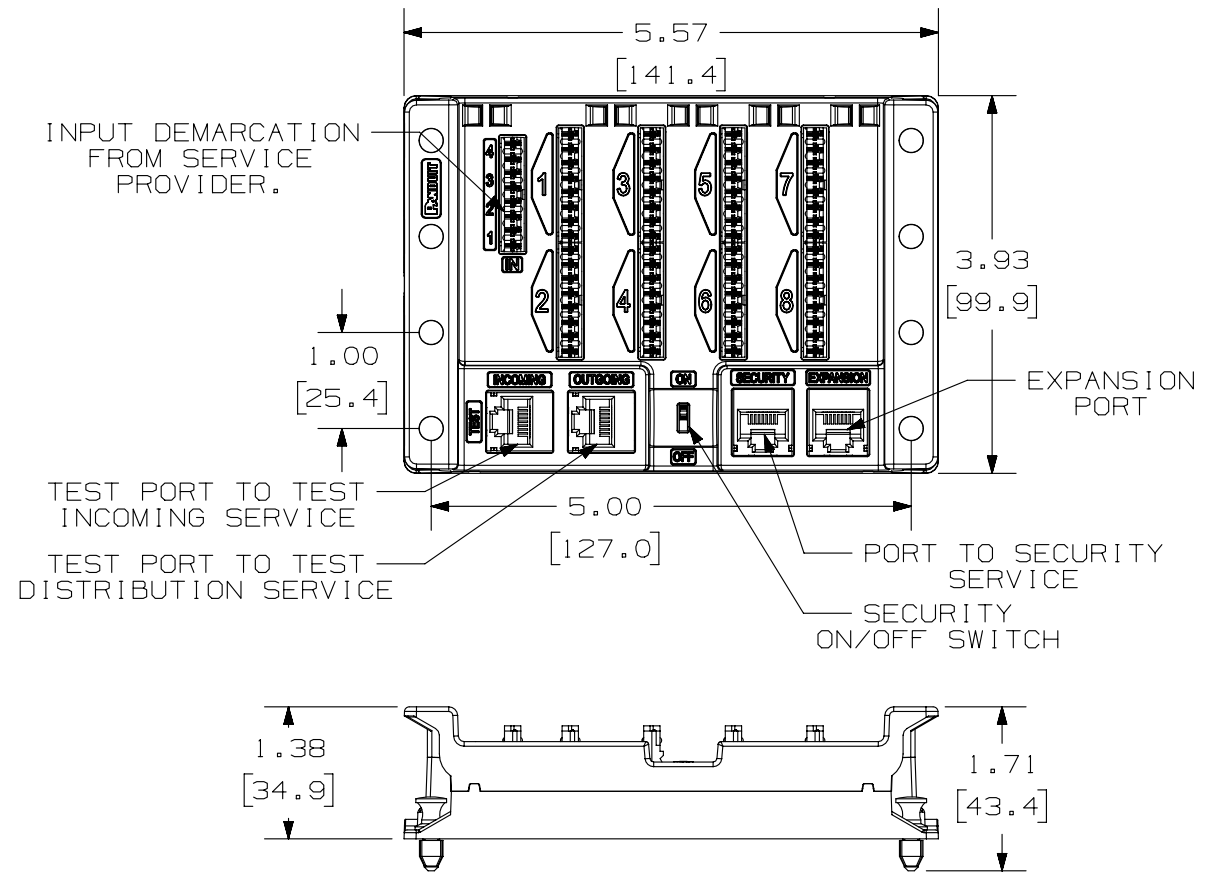
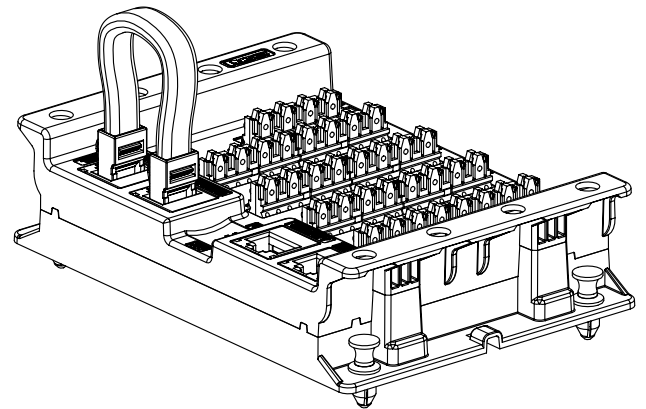


THIS COPY IS PROVIDED ON A RESTRICTED BASIS AND IS NOT TO BE USED IN ANY WAY DETRIMENTAL TO THE INTERESTS OF PANDUIT CORP.



PANDUIT P/N	WEIGHT
MS8PD	.40 LB/EACH PC (183.0 g/10 PCS)

- NOTES:
- SEE CURRENT CATALOG FOR ADDITIONAL PART NUMBER SUFFIXES TO INDICATE COLOR AND OR PACKAGE QUANTITY.
 - SEE CATALOG FOR COMPLETE LIST OF PARTS APPLICABLE FOR USE WITH THIS PART.
 - DIMENSIONS IN [] ARE IN METRIC.
 - PART INCLUDES:
1- PHONE HUB
1- PATCH CORD



PART NUMBER		MS8PD	
TITLE			
MEDIA DISTRIBUTION TELEPHONE HUB			
CUSTOMER DRAWING			
ITEM REVISION NAME		M02695ZD/03	
DATASET FILE NAME		M02695ZD_DC102/03B	
UNLESS OTHERWISE SPECIFIED, DIMENSIONAL TOLERANCES ARE: IN [mm]		MATERIAL:	
.x ± .xx ± .03 [.8]		V-0 ABS	
.xxx ± .010 [.3]		DRAWING NUMBER:	
ANGLES ±		02695-102	
THIRD ANGLE PROJECTION		SHT 1 OF 1	
DRAWN BY	DATE	CHK	SCALE
JSP	11-19-07	REFR	NONE
REV	DATE	BY	CHK
1	5-07-14	MDJR	REFR
R	11-19-07	JSP	REFR

REV	DATE	BY	CHK	APR	DESCRIPTION	ECN
1	5-07-14	MDJR	REFR	MMR	A. UPDATED TITLE BLOCK.	02695-102
R	11-19-07	JSP	REFR	REFR	RELEASED TO PRODUCTION	02695-102

D10100DA/14