

PART NAME: KNOB

SCALE: 1:1

DATE: 9/16/76

DR. BY NH

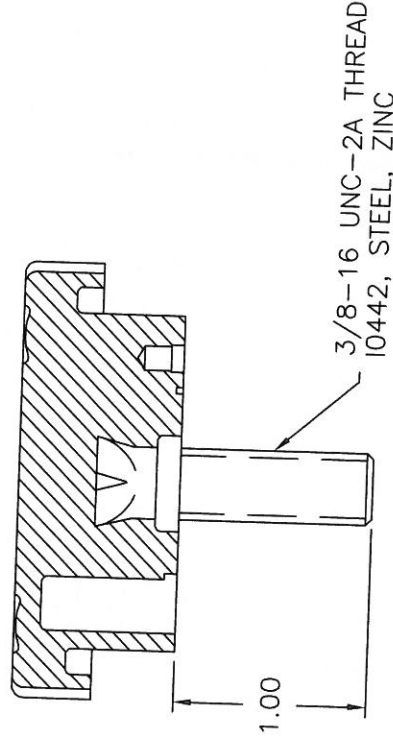
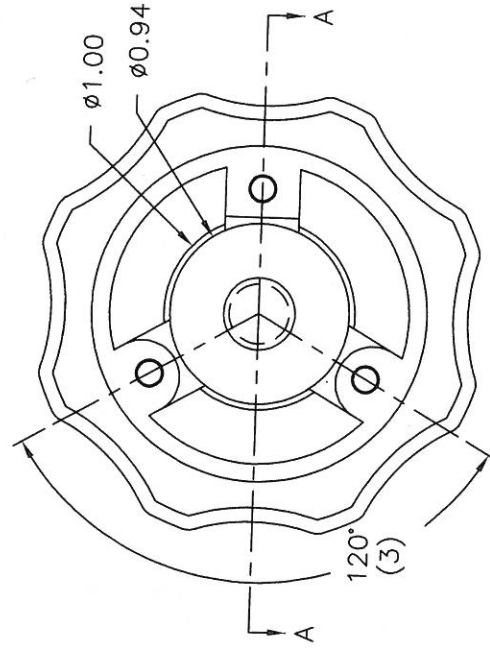
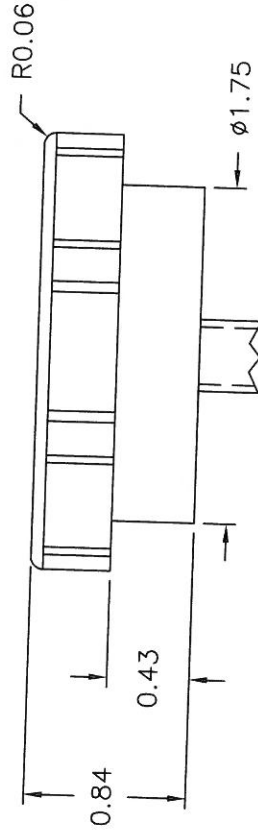
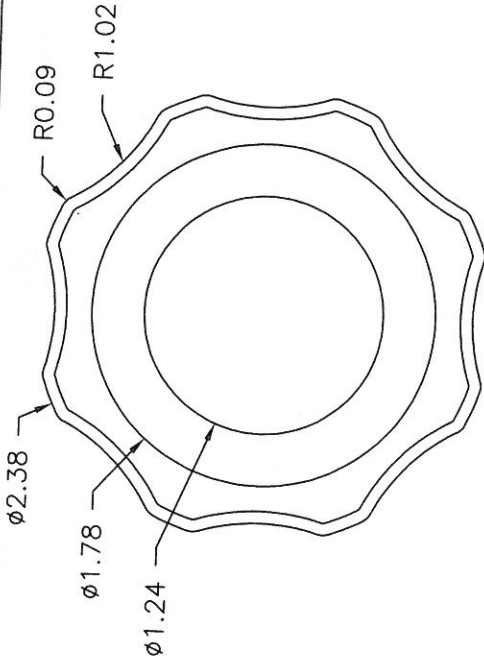
THIS DRAWING IS THE PROPERTY OF DAVIES MOLDING COMPANY, IS SUBMITTED SOLELY AS A DESIGN OR ENGINEERING PROJECT. WE ACCEPT NO RESPONSIBILITY WHATSOEVER FOR THE PRACTICAL APPLICATION OF THE PIECES MADE TO THIS DESIGN.



DESIGNERS & MANUFACTURERS OF KNOBS, HANDLES, CASES & CUSTOM PLASTIC COMPONENTS

P/N 4103GY

M/NO.	4103
PLUNGER	4103
CAVITY	4103
CAVITY PLUG	4103
CAVITY PLUG PIN	LONG(1.183)
PIN	4103-N
INSERT	10442



SECTION A-A

MATERIAL: G.P. PHENOLIC (B11)  
COLOR: BLACK

TOLERANCES:  
UNLESS OTHERWISE SPECIFIED

DO NOT SCALE DRAWING

DECIMALS: X.XXX ± .005  
X.XX ± .015

MM: X.XX ± 0.15MM  
X.X ± 0.4MM

FRACTIONS ± 1/64

ANG. ± 1°

REDRAW

CAD REDRAW

JAM 5/13/02

HD 9/17/02

CHANGE