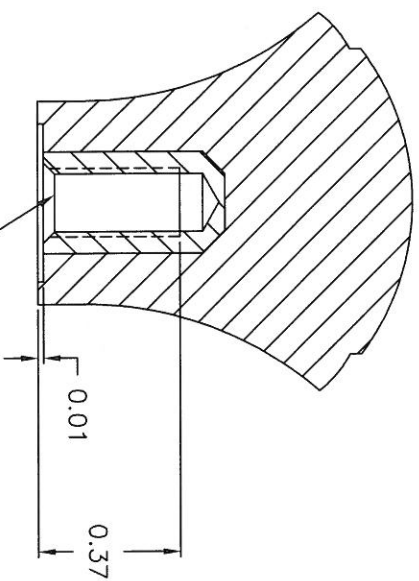
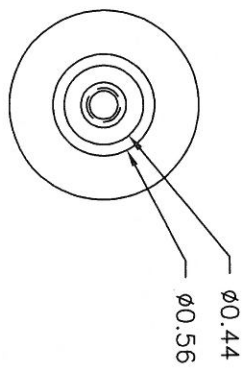
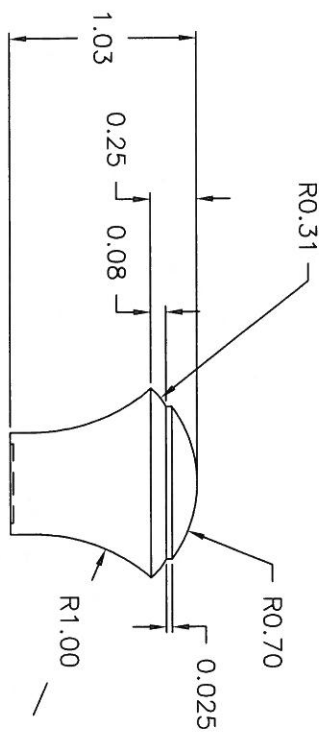
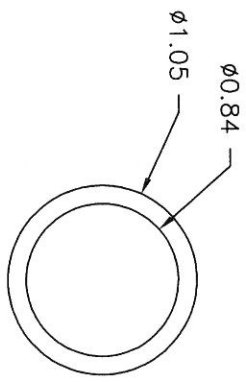


PART NAME: KNOB SCALE: 1:1 DATE: 2/18/11 DR. BY JAM
 THIS DRAWING IS THE PROPERTY OF DAVIES MOLDING COMPANY, IS SUBMITTED SOLELY AS A DESIGN OR ENGINEERING PROJECT.
 WE ACCEPT NO RESPONSIBILITY WHATSOEVER FOR THE PRACTICAL APPLICATION OF THE PIECES MADE TO THIS DESIGN.

DAVIES MOLDING DESIGNERS & MANUFACTURERS OF KNOBS, HANDLES, CASES & CUSTOM PLASTIC COMPONENTS

P/N	3004-W
M NO.	3004
CAVITY	3004
PLUNGER	3004
SHIM	1
PINS	3004-8
INSERT	10185



SCALE 2 : 1

10-32 UNF-2B THREAD.
 10185, H.H. BRASS

* ^(B) 0567
 MATERIAL: ~~#5212~~ MELAMINE (R01)
 COLOR: RED

^(A) ECGN PENDING

TOLERANCES: UNLESS OTHERWISE SPECIFIED	DO NOT SCALE DRAWING	B	WAS 00732-13	JAM	5/10/12
DECIMALS: X.XXX ± .005 X.XX ± .015	MM: X.XX ± 0.15MM X.X ± 0.4MM	A	WAS R32	JAM	9/16/11
FRACTIONS ± 1/64	ANG. ± 1'	-	WAS SK3004-24	JAM	2/18/11

CHANGES